



S3570 COMPACT GROUP LOCK BOX

Compact size for group lockout convenience

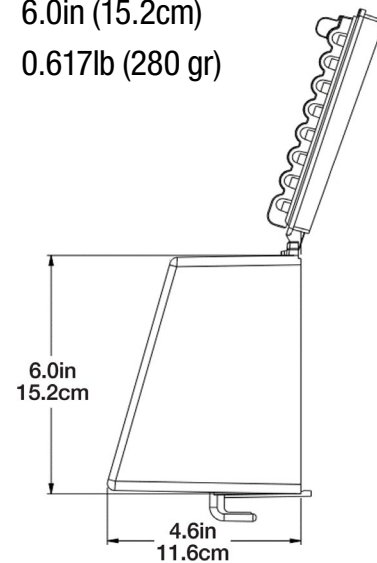
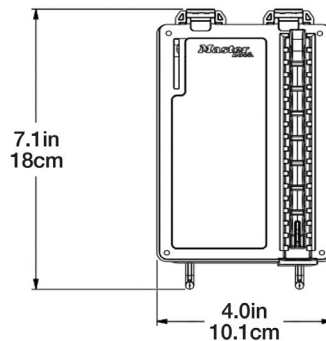
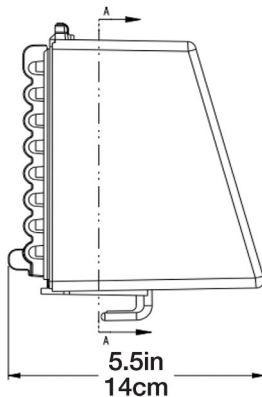
This lightweight group lock box is an efficient and multi-purpose solution for smaller teams. The S3570 can be wall mounted and is also highly portable. Its compact design holds up to 6 padlocks internally for protected storage, and can be locked out with up to 8 padlocks or hasps externally.

- Top-hinged transparent polycarbonate window for easy key viewing
- 6 hooks inside the box for hanging keys to keep them visible
- Stores up to 6 safety padlocks inside
- Sliding lock rail can be locked out with up to 8 padlocks or hasps
- 2 outside hooks to hold folded permit paperwork, hang tags or extra items
- Lightweight, compact red plastic portable lock box for smaller teams
- Optimal operating temperatures -40°C to 65°C



SPECIFICATIONS

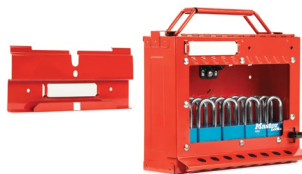
Overall Height	7.1in (18cm)	Window Height	6.0in (15.2cm)
Overall Width	4.0in (10.1cm)	Weight	0.617lb (280 gr)
Largest Depth	5.5in (14cm)		



Visit masterlocksafety.com for all Safety Lockout products



S600
Portable Group Lock
Box with Key Window



S3650
Group Lock Box with
Wall Mounting Bracket

**Master
Lock**

www.masterlock.com

Master Lock Company LLC, Milwaukee, WI 53154 U.S.A. | 800-308-9244
Master Lock Canada, Mississauga, Ontario L5L 5Z9 Canada
© 2023 Master Lock Company | All Rights Reserved.

7000-0143 MC 1500 11/23

MARTIN

Contact your Martin Sales Rep
or call 800.828.8116.
www.martinsupply.com

See How
it Works



SCAN ME