



S442 PLASTIC LOCKOUT HASP WITH 3MM SHACKLE

A reliable lockout hasp solution for smaller isolation points

The S442 plastic lockout hasp with 3mm shackle offers a smaller, nonconductive solution for organizations who need to keep equipment inoperative while repairs or adjustments are being made.

Thinner shackle for unique applications

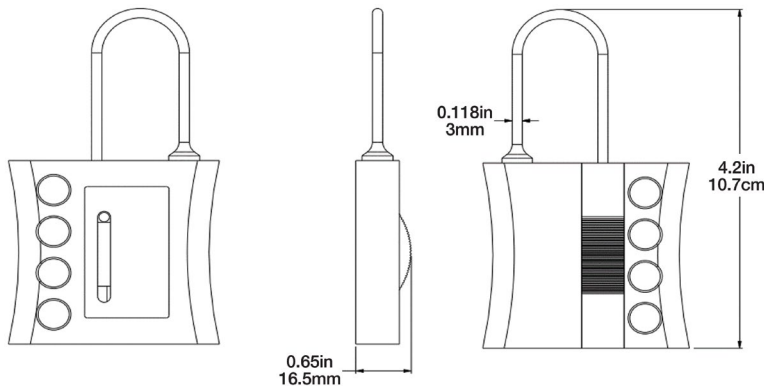
The Master Lock S442 plastic lockout sliding hasp was engineered with a thinner, spark-proof shackle to meet the demands of organizations who need to secure electrical panel enclosures with small isolation points.

- Made from highly durable, non-conductive plastic
- Thinner 3mm diameter plastic shackle
- Red body to increase visibility
- Accommodates up to 4 personal padlocks
- Includes labels in French, Spanish & English
- Optimal operating temperatures -10°C to 50°C



Specifications

Shackle Dia.	0.118in (3mm)	Shackle Swing Ht.	1.9in (48.5mm)
Height	4.2in (10.7cm)	Weight	0.044lbs (20 gr)
Max. Width	0.65in (16.5mm)	Tensile Force	48 lb



Visit [masterlocksafety.com](https://www.masterlocksafety.com) for all Safety Lockout products



www.masterlock.com

Master Lock Company LLC, Milwaukee, WI 53154 U.S.A. | 800-308-9244
Master Lock Canada, Mississauga, Ontario L5L 5Z9 Canada
© 2023 Master Lock Company | All Rights Reserved.



Contact Your Martin Sales Rep
or Call 800.828.8116.
www.martinsupply.com

See How
it Works

